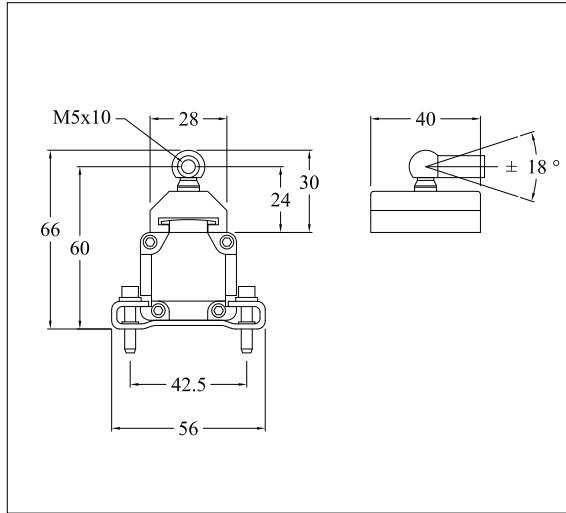


Discription
For series

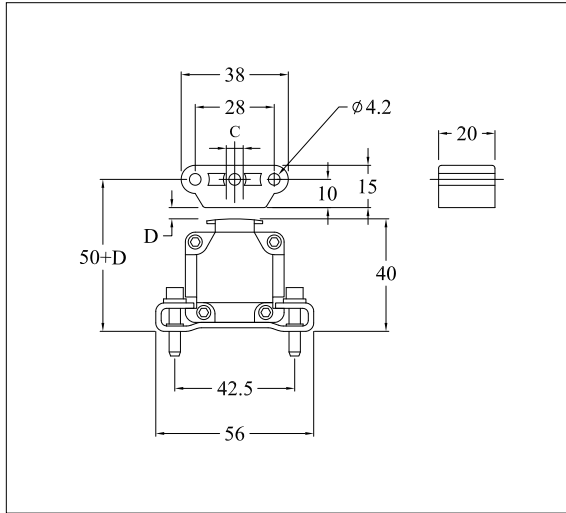
Captive
18/19 Series



Order Code
Material
Weight
Vertical distance (D)
Lateral offset (C)
Operation Temperature

1800 951 001
Plastic
~30g
Fixed
Fixed
-40 to 75°C

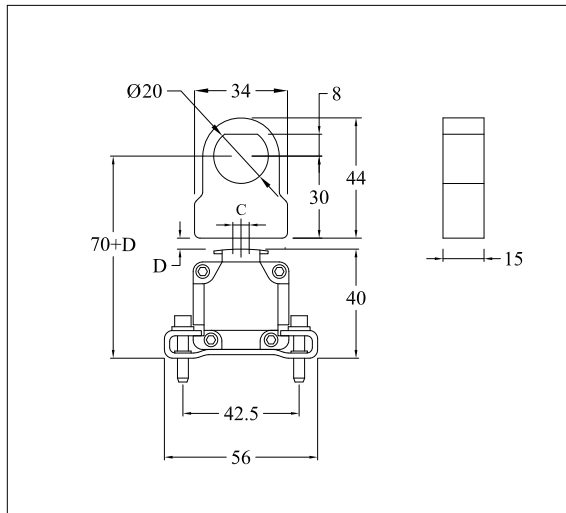
Floating
18/19 Series



1800 951 002
Plastic
~12g
0.1 - 4mm
±8 m m
-40 to 75°C

Discription
For series

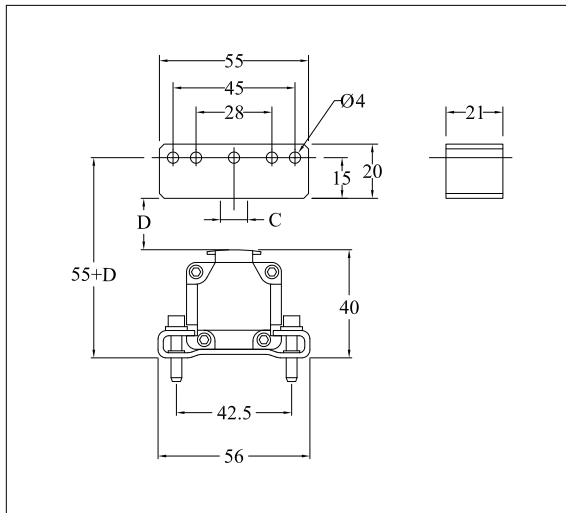
Die-cast
18/19 Series



Order Code
Material
Weight
Vertical distance (D)
Lateral offset (C)
Operation Temperature

1800 951 003
Plastic
~12g
0.1 - 4mm
±8 m m
-40 to 75°C

Large floating
18/19 Series

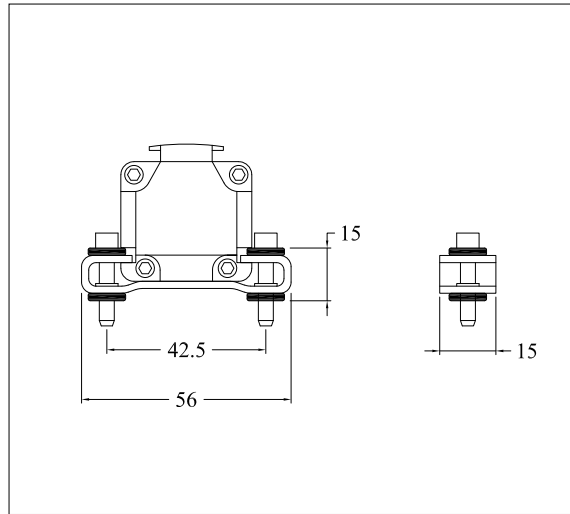
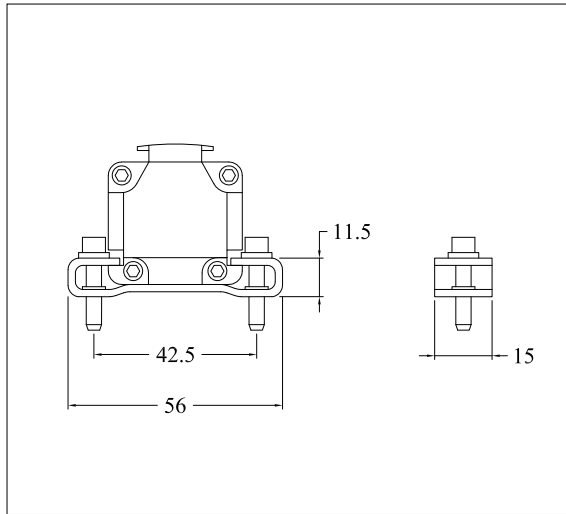


1800 951 004
Plastic
~40g
0.1 - 10mm
±20 m m
-40 to 75°C

Discription
For series

42.5mm Mounting
18/19 Series

42.5mm Isolation Mounting
18/19 Series



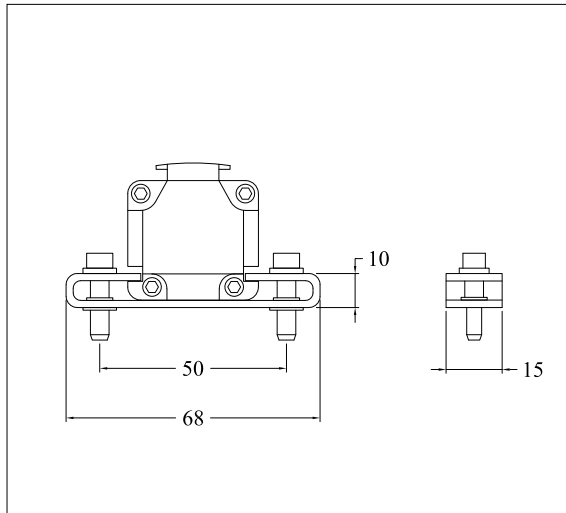
Order Code
Material
Installation
Torque

1800 951 007
Stainless Steel
M4 x 20 (not included)
Max. 4 Nm

1800 951 008
Stainless Steel
M4 x 20 (not included)
Max. 0.5 Nm

Discription
For series

50mm Mounting
18/19 Series



42.5mm Isolation Mounting
50mm Mounting

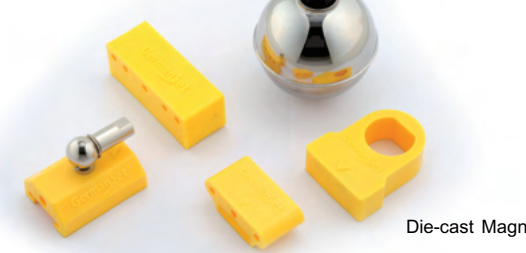


42.5mm Mounting

Order Code
Material
Installation
Torque

1800 951 009
Stainless Steel
M5 x 20 (not included)
Max. 5 Nm

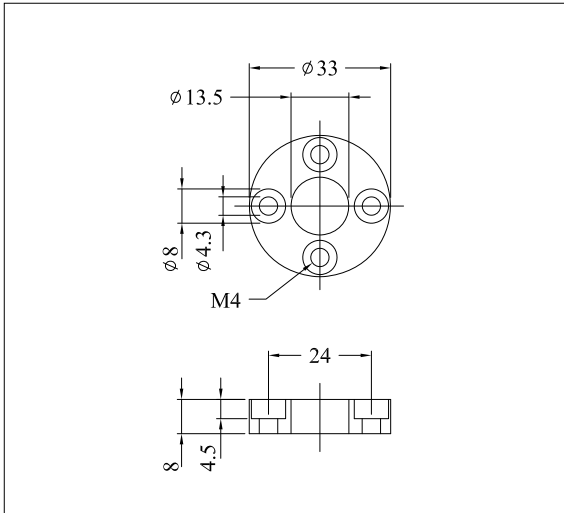
Large Floating Magnet
Magnetic Floating Ball



Floating Magnet

Discription
Order Code

Dia. 33mm ring
1700 951 001



Material
Weight

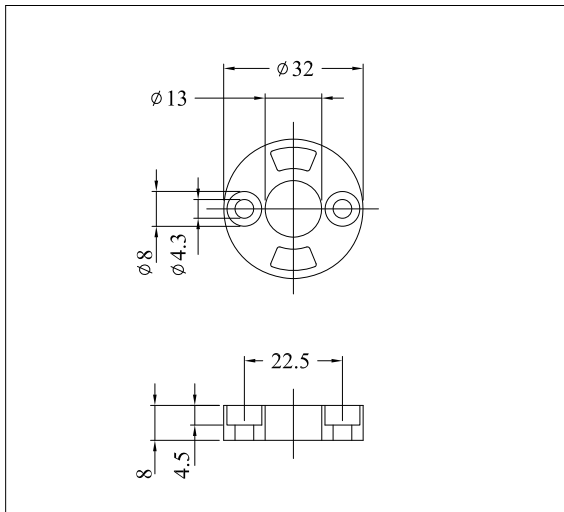
Plastic
~8g

Discription
Order Code
Material

Dia. 33mm Spacer
1700 951 002
Plastic

Discription
Order Code

Dia. 32mm ring
1700 951 020

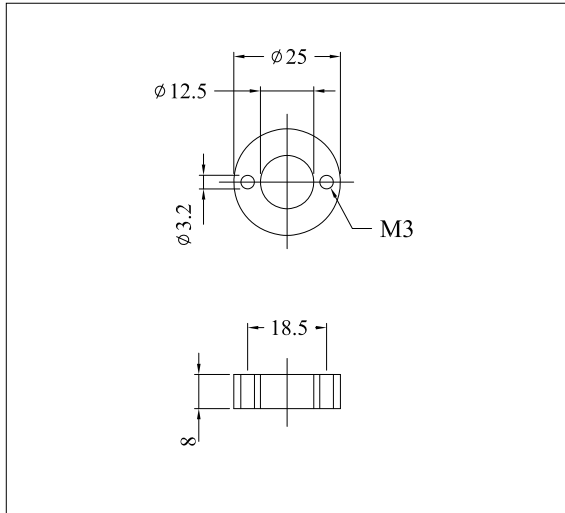


Material
Weight

Plastic
~8g

Dia. 32mm Spacer
1700 951 021
Plastic

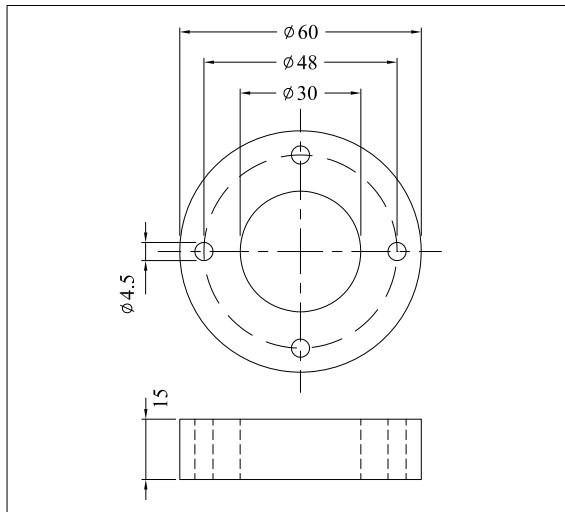
Dia. 25mm ring
1700 951 003



Plastic
~8g

Dia. 25mm Spacer
1700 951 004
Plastic

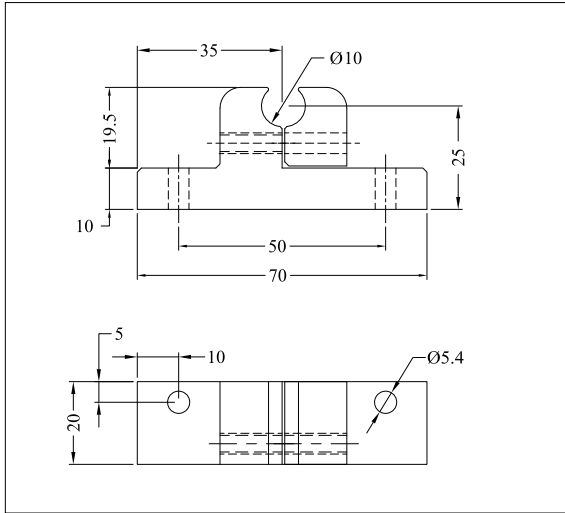
Dia. 60mm ring
1900 951 004



Plastic
~30g

Discription
Order Code

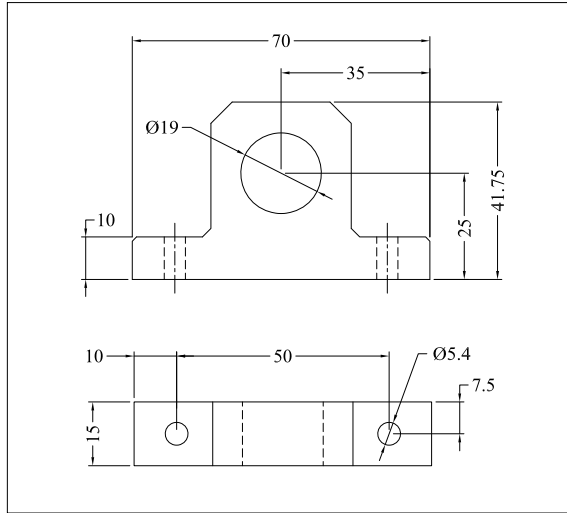
10mm dia. housing pipe mounting
1900 951 002



Material
Weight

Aluminium
~30g

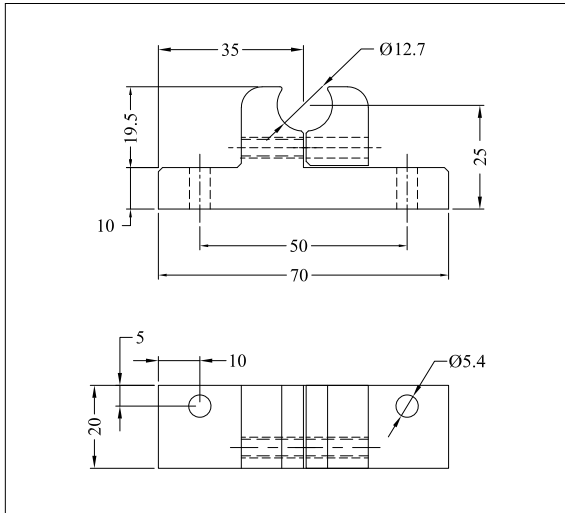
M18x1.5 flange external mounting
1900 951 003



Aluminium
~45g

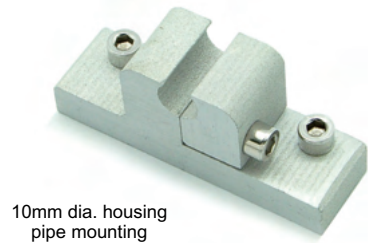
Discription
Order Code

12.7mm dia. housing pipe mounting
1900 951 005

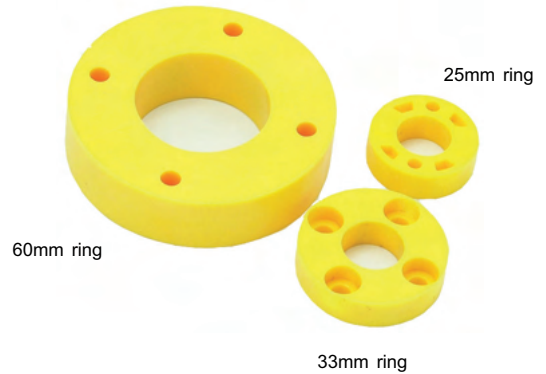


Material
Weight

Aluminium
~30g



10mm dia. housing pipe mounting



60mm ring

33mm ring

25mm ring

M12 Connector

Profinet		Profinet Input	Profinet Output	24V Power Input
Model		4 pins M12 D-model male	4 pins M12 D-model male	4 pins M8 female
199 series D56	Order Code	1800 951 041	1800 951 041	1800 951 040
199 series D58		Model	4 pins M12 D-model male	4 pins M12 A-model female
	Order Code	1800 951 041	1800 951 041	1800 951 079
EtherCAT		EtherCAT / Profinet Input	EtherCAT / Profinet Output	24V Power Input
Model		4 pins M12 D-model male	4 pins M12 D-model male	4 pins M8 female
197 Series	Order Code	1800 951 041	1800 951 041	1800 951 040
Profibus		Profibus Input	Profibus Output	24V Power Input
Model		5 pins M12 B-model female	5 pins M12 B-model male	4 pins M8 female
195 series D53	Order Code	1800 951 063	1800 951 064	1800 951 060
195 series S13		Model	5 pins M12 B-model female	3 pins M8 female
	Order Code	1800 951 063	1800 951 064	1800 951 084
195 series D63		Model	6 pins D60 female	
	Order Code	1800 951 010	1800 951 066	
Canbus		Input	Output	24V Power Input
Model		5 pins M12 A-model female	5 pins M12 A-model male	4 pins M8 female
194 series D54	Order Code	1800 951 017	1800 951 033	1800 951 040
194 series S94		Model	5 pins M12 A-model female	
	Order Code	1800 951 017	1800 951 033	
194 series S92 / D34		Model	5 pins M12 A-model female	
	Order Code	1800 951 017		
Analog		Output		
Model		5 pins M12 A-model female		
190 / 191 series D34	Order Code	1800 951 017		
190 / 191 series S15		Model	8 pins M12 female	
	Order Code	1800 951 026		
Start Stop		Output		
Model		8 pins M12 female		
17 / 18 series	Order Code	1800 951 026		
Analog Output		Output	Output	
Model		5 pins M12 A-model female	5 pins M12 A-model 90deg female	
17 / 18 series	Order Code	1800 951 017	1800 951 018	

M8 male
Length: 43mm

M12 male
Length: 48mm

M12 female
Length: 54mm

*Cable Dia. 6-8mm



D60 / D70 / S32 Connector

Discription	Straight Connector (female)		
Model	D60	D70	S 32 (8 pin)
Order Code	1800 951 010	1800 951 012	1800 951 069
Material	Cu Zn / Plastic		



Discription	90° Degree Connector (female)		
Model	D60	D70	S 32 (8 pin)
Order Code	1800 951 011	1800 951 013	1800 951 090
Material	Cu Zn / Plastic		



Fieldbus Terminator

CANbus	Model	CANbus D62 terminator
194 series	Order Code	1800 951 044

Profibus	Model	Profibus D53 terminator
195 series D53	Order Code	1800 951 043

Profibus	Model	Profibus D63 female terminator
195 series D63	Order Code	1800 951 028
		Profibus D63 male terminator
		1800 951 068



high precision & reliability...

Twisted Pairs Cable with Connector Order Code

17 and 18 series

1 8 0 0 9 5 X X X X X

Connector

1 1 = No connector, cable only

1 9 = 4 pins connector (IP65)

1 3 = 4 pins connector (IP67)

1 2 = D60 straight female

1 6 = D60 90 degree female

1 4 = 5 pins straight M12 A model female

2 3 = 5 pins 90deg. M12 A model female

2 4 = 8 pins M16 female (S32,startstop)

2 5 = 8 pins M16 female (S32,voltage)

2 6 = 8 pins M16 female (S32,current)

1 5 = 8 pins M12 female (start/stop, D84)

4 3 = 8 pins M12 female (start/stop, S15)

2 7 = 8 pins M12 female (S15,voltage)

3 2 = 8 pins M12 female (S15,Current)

Cable Length

Select the cable length in unit Meter
For example, 01 = 1 Meter

Cable Type

R = PVC cable

T = Teflon cable

H = PUR cable

W = Waterproof cable

*shield twisted pair cable 3 x 2 x 0.2mm²

4pins IP65/67 (#13/19)

Color	voltage	current
Black	P3	P 2
White	P2/P3 Gnd.	P 3
Yellow	P2	N.C.
Green	N.C.	N.C.
Red	P1	P 1
Blue	P4	P 4

5pins M12 A female (#14/23)

Color	voltage	current
Black	2	2
White	5	5
Yellow	4	N.C.
Green	N.C.	N.C.
Red	1	1
Blue	3	3

D60

Color	female (#12/16)
Black	1
White	2
Yellow	3
Green	4
Red	5
Blue	6

8pins M16 female

Color	S32 voltage (#25)	S32 current (#26)	S32 start/stop (#24)
Black	5	1	5
White	2	2	2
Yellow	3	3	1
Green	N.C.	N.C.	3
Red	7	7	7
Blue	6	6	6

8pins M12 female

Color	S15 voltage (#27)	S15 current (#32)	start/stop (#15)	start/stop (#43)
Black	5	5	4	5
White	2	2	3	2
Yellow	3	N.C.	1	1
Green	N.C.	N.C.	2	3
Red	7	7	7	7
Blue	6	6	8	6

*for Voltage / Current

*1836 series

*1835 series

190, 191 and 193 series

1 8 0 0 9 5 X X X X X

Connector

- 1 2 = D60 straight female
- 1 6 = D60 90 degree female

- 1 4 = 5 pins straight M12 A model female
- 2 3 = 5 pins 90deg. M12 A model female

- 2 4 = 8 pins M16 female (S32,startstop)
- 2 5 = 8 pins M16 female (S32,voltage)
- 2 6 = 8 pins M16 female (S32,current)

- 1 5 = 8 pins M12 female (start/stop, D84)
- 4 3 = 8 pins M12 female (start/stop, S15)
- 2 7 = 8 pins M12 female (S15,voltage)
- 3 2 = 8 pins M12 female (S15,Current)

Cable Length

Select the cable length in unit Meter
For example, 01 = 1 Meter

Cable Type

- R = PVC cable T = Teflon cable
- H = PUR cable W = Waterproof cable

*shield twisted pair cable 3 x 2 x 0.2mm²

D60	
Color	female (#12/16)
Black	1
White	2
Yellow	3
Green	4
Red	5
Blue	6

5pins M12 A female (#14/23)		
Color	voltage	current
Black	2	2
White	5	5
Yellow	4	N.C.
Green	N.C.	N.C.
Red	1	1
Blue	3	3

8pins M16 female			
Color	S32 voltage (#25)	S32 current (#26)	S32 start/stop (#24)
Black	5	1	5
White	2	2	2
Yellow	3	3	1
Green	N.C.	N.C.	3
Red	7	7	7
Blue	6	6	6

8pins M12 female				
Color	S15 voltage (#27)	S15 current (#32)	start/stop (#15)	start/stop (#43)
Black	5	5	4	5
White	2	2	3	2
Yellow	3	N.C.	1	1
Green	N.C.	N.C.	2	3
Red	7	7	7	7
Blue	6	6	8	6

*for Voltage / Current

Twisted Pairs Cable with Connector Order Code

192 series

1 8 0 0 9 5 X X X X X

Connector

1 7 = D70 straight female
1 8 = D70 90 degree female

2 4 = 8 pins M16 female (S32,SSI)

Cable Length

Select the cable length in unit Meter
For example, 01 = 1 Meter

Cable Type

R = PVC cable T = Teflon cable
H = PUR cable W = Waterproof cable

*shield twisted pair cable 3 x 2 x 0.2mm²

D70 female		8pins M16 female	
Color	(#17/18)	Color	S32 SSI (#24)
Black	1	Black	5
White	2	White	2
Yellow	3	Yellow	1
Green	4	Green	3
Red	5	Red	7
Blue	6	Blue	6

194 series

1 8 0 0 9 5 X X X X X

Connector

1 2 = D60 straight female
1 6 = D60 90 degree female

2 2 = 5 pins M12 A model male (S94)
3 6 = 5 pins M12 A model female (S94)

4 1 = 5 pins M12 A model male (D54)
4 2 = 5 pins M12 A model female (D54)

2 1 = 4 pins M8 female (24V power)

Cable Length

Select the cable length in unit Meter
For example, 01 = 1 Meter

Cable Type

R = PVC cable T = Teflon cable
H = PUR cable W = Waterproof cable

*shield twisted pair cable 3 x 2 x 0.2mm²

D60	
Color	female (#12/16)
Black	1
White	2
Yellow	3
Green	4
Red	5
Blue	6

*D60 / D61 / D62

Color	5pins M12 A (DCANbus)	
	female (#42)	male (#41)
Black	5	5
White	4	4
Yellow	N.C.	N.C.
Green	N.C.	N.C.
Red	N.C.	N.C.
Blue	N.C.	N.C.

*D54

Color	5pins M12 A (CANbus)	
	female (#36)	male (#22)
Black	5	5
White	4	4
Yellow	N.C.	N.C.
Green	N.C.	N.C.
Red	2	2
Blue	3	3

*D34
S92 / S94

*S94

4pins M8 (#21)	
Color	24 V power
Red	1
Blue	3

*D54

195 series

1 8 0 0 9 5 X X X X X

Connector

1 2 = D60 straight female
3 3 = D60 straight male

2 8 = 5 pins M12 B model female
2 9 = 5 pins M12 B model male

*28/29 use Profibus cable

2 1 = 4 pins M8 female (24V power)

3 4 = 3 pins M8 female (24V power)

Cable Length

Select the cable length in unit Meter
For example, 01 = 1 Meter

Cable Type (for connector 12, 33)

R = PVC cable T = Teflon cable
H = PUR cable W = Waterproof cable

*shield twisted pair cable 3 x 2 x 0.2mm²

Cable Type (for connector 28, 29)

F = Profibus Cable

Color	D60	
	female (#12)	male (#33)
Black	1	1
White	2	2
Yellow	3	3
Green	4	4
Red	5	5
Blue	6	6

*D63

Color	5p M12 B female (#28)	5p M12 B male (#29)
Green	2	2
Red	4	4
Shield	N.C.	5

*D53 / S13

Color	4pins M8 (#21)
	24 V power
Red	1
Blue	3

*D53

Color	3pins M8 (#34)
	24 V power
Red	1
Blue	3

*S13

197 series

1 8 0 0 9 5 X X X X X

Connector

2 0 = 4 pins M12 D model male

2 1 = 4 pins M8 female (24V power)

Cable Length

Select the cable length in unit Meter
For example, 01 = 1 Meter

Cable Type

R = PVC cable T = Teflon cable
H = PUR cable W = Waterproof cable

*shield twisted pair cable 3 x 2 x 0.2mm²

Color	4pins M12 D male (#20)
Black	1
White	3
Yellow	4
Green	2
Red	N.C.
Blue	N.C.

*D56

Color	4pins M8 (#21)
	24 V power
Red	1
Blue	3

*D56

Twisted Pairs Cable with Connector Order Code

199 series

1 8 0 0 9 5 X X X X X

Connector

- 2 0 = 4 pins M12 D model male
- 2 1 = 4 pins M8 female (24V power)
- 3 5 = 4 pins M12 female A (24V power)

Cable Length

Select the cable length in unit Meter
For example, 01 = 1 Meter

Cable Type

- R = PVC cable
- H = PUR cable
- T = Teflon cable
- W = Waterproof cable

*shield twisted pair cable 3 x 2 x 0.2mm²

Color	4pins M12 D male (#20)
Black	1
White	3
Yellow	4
Green	2
Red	N.C.
Blue	N.C.

*D56

Color	4pins M8 (#21)
Red	1
Blue	3

*D56

Color	4pins M12 (#35)
Red	1
Blue	3

*D58

16 series

1 8 0 0 9 5 X X X X X

Connector

- 1 2 = D60 straight female
- 1 6 = D60 90 degree female

- 1 7 = D70 straight female
- 1 8 = D70 90 degree female

- 1 4 = 5 pins straight M12 A model female
- 2 3 = 5 pins 90deg. M12 A model female

- 2 4 = 8 pins M16 female (S32,SSI)
- 2 5 = 8 pins M16 female (S32,voltage)
- 2 6 = 8 pins M16 female (S32,current)

Cable Length

Select the cable length in unit Meter
For example, 01 = 1 Meter

Cable Type

- R = PVC cable
- H = PUR cable
- T = Teflon cable
- W = Waterproof cable

*shield twisted pair cable 3 x 2 x 0.2mm²

D60	
Color	female (#12/16)
Black	1
White	2
Yellow	3
Green	4
Red	5
Blue	6

5pins M12 A female (#14/23)		
Color	voltage	current
Black	2	2
White	5	5
Yellow	N	N.C.
Green	N.C.	N.C.
Red	1	1
Blue	3	3

D70 (#17/18)	
Color	female
Black	1
White	2
Yellow	3
Green	4
Red	5
Blue	6

*for SSI

8pins M16 female			
Color	S32 voltage (#25)	S32 current (#26)	S32 SSI (#24)
Black	5	1	5
White	2	2	2
Yellow	3	3	1
Green	N.C.	N.C.	3
Red	7	7	7
Blue	6	6	6

13 series

1 8 0 0 9 5 X X X X X

Connector

- 3 7 = 5 pins M12 female A (N__E)
- 3 8 = 5 pins M12 female A (N__G)
- 3 9 = 5 pins M12 female A (N__H)
- 4 0 = 5 pins M12 female A (CANbus)

Cable Length

Select the cable length in unit Meter
For example, 01 = 1 Meter

Cable Type

- R = PVC cable
- H = PUR cable
- T = Teflon cable
- W = Waterproof cable

*shield twisted pair cable 3 x 2 x 0.2mm²

Cable	N__E (#37)	N__G (#38)	N__H (#39)	N__F (#40)
Black	4	4	2	5
White	N.C.	N.C.	N.C.	4
Yellow	N.C.	N.C.	N.C.	N.C.
Green	N.C.	N.C.	N.C.	N.C.
Red	2	1	1	2
Blue	3	3	3	3

Diagnostic Tools

Ranging from simple, low cost displays to allow visual position monitoring to full-featured displays with programmable capability, Germanjet offers a display product to meet any application requirement.

Diagnostic Meter
(Sensor not included)



Diagnostic Display Module



	Diagnostic Meter	Diagnostic Display Module	Function Discription
CANbus	1800 951 050	1800 951 053	CANbus position sensor input CANbus address modification 0 - 10V position output
Start / Stop	1800 951 049	1800 951 052	7 segments LED display Start/Stop position sensor input 0 - 10V position output
SSI	1800 951 051	1800 951 054	7 segments LED display SSI position sensor input 0 - 10V position output

Level Sensing Accessories



Discription	Floating Ball
Order Code	1700 951 005
Material	304 SS
Inside Dia. (ID)	15 mm
Out Dia./Height	52 x 52 mm
Density	0.7
Pressure Rating	40 bar



Discription	Floating Ball Stopper
Order Code	1700 951 013
Material	304 SS
Inside Dia. (ID)	10 mm
Out Dia./Height	20 x 13 mm

Programming Tools



Order Code	1700 951 018
Discription	19 Series Analog Programming Tool

The 19 series analog programming tool can be used to set the "zero" and "end" values anywhere within the nominal factory stroke range.

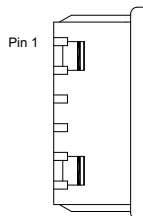
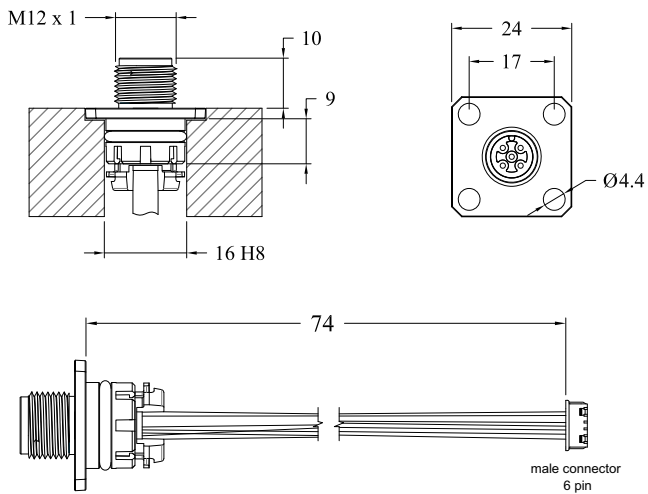


Order Code	1700 951 032
Discription	19 Series Profibus Simulator

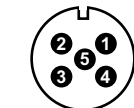
The master simulator can be used to check the sensor functions and to change the slave address. The magnet positions can be read out and diagnostic data.

Model Cable with male connector (6 pin), straight - M12 A-coded male connector (5 pins) with flange

Order Code 1800 951 087



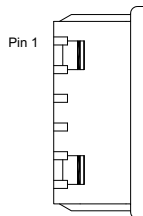
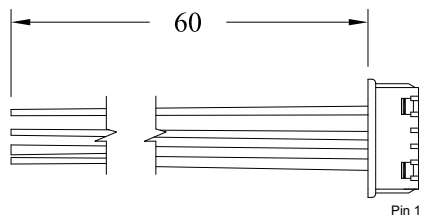
Pin		Pin
1	↔	4
—	↔	—
3	↔	2
4	↔	3
5	↔	5
6	↔	1



5 pin M12 A-coded
(View toward sensor pins)

Model Extension cable, male connector (6 pin), straight - pigtail

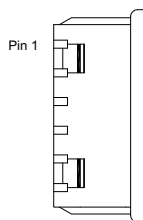
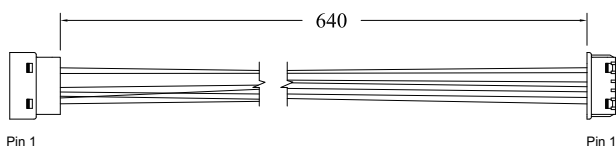
Order Code 1800 951 086



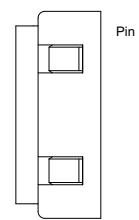
Pin		Color Code
1	↔	Yellow
—	↔	—
3	↔	Gray
4	↔	White
5	↔	Black
6	↔	Red

Model Extension Cable with male connector (6 pin), straight - female connector (6 pins) straight

Order Code 1800 951 088



Pin		Pin
1	↔	1
2	↔	2
3	↔	3
4	↔	4
5	↔	5
6	↔	6



Euro Card Holder

This cardholder is for mounting Euro standard controller card. The card is installed by slowly slide into the card holder. Both ejector buttons need to be pushed down to release the card. The holder can be mounted on DIN rail or screwed down.

Features

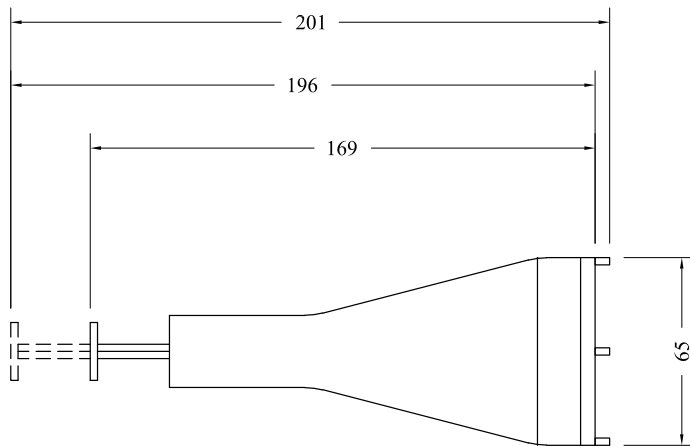
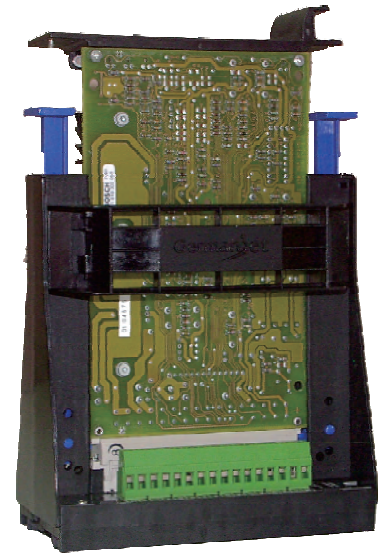
- Compression screw terminals for wire connections.
- Terminal connections on both sides of card holder.
- Fastens to 35mm DIN rail or directly screw to panel.
- Circuit board hold downs.
- Ejector buttons smoothly release card.

Technical Data

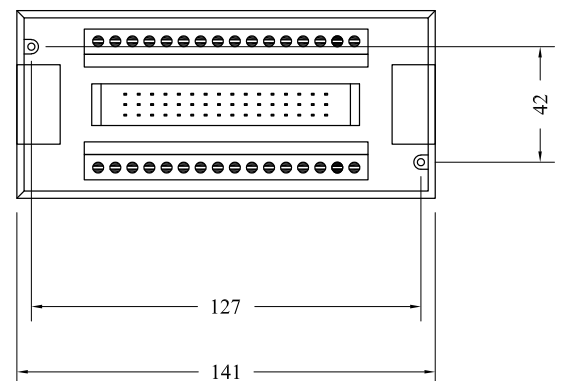
- Maximum wire size - 4mm² (12 AWG).
- Recommended 225mm (9" or larger) box depth with card inserted.
- 0.5lb to 0.75lb Weight.

Mounting

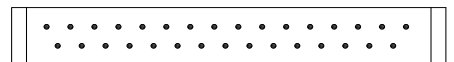
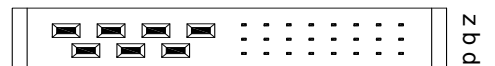
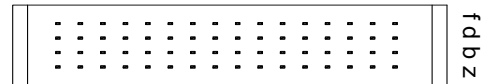
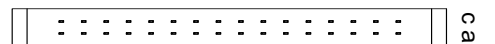
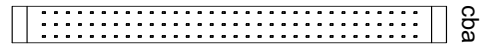
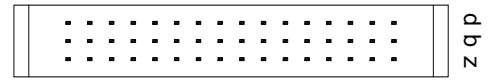
- 2 clearance holes.
- 4.2 mm (0.165in.) dia. X 9.5 mm (3/8 in.) depth



screw terminal for fast connection.



Format	Pins	Pins Config.	Order Code
DIN 41612, Form F	32	row b, z	1 834 486 001
	48	row z, b, d	1 834 486 003
DIN 41612, Form C	32	row a,c	1 834 486 004
	64	row a,c	1 834 486 002
	96	row a,b,c	1 834 486 006
DIN 41612, Form B	64	row a,b	1 834 486 005
DIN 41612, Form D	32	row a,c	1 834 486 007
DIN 41612, Form G	64	row z,b,d,f	1 834 486 008
DIN 41612, Form M	24+7	row z,b,d	1 834 486 009
DIN 41617	31	all	1 834 486 010



high precision & reliability...